

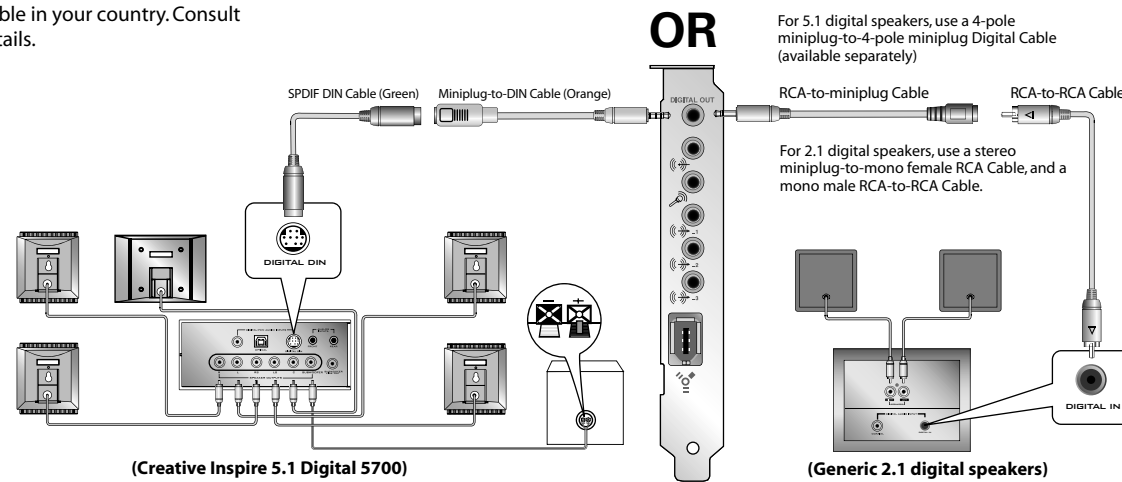
4 Connecting Speakers

NOTE: Your speakers should come with the necessary cables shown in all the following diagrams. Some speaker models may be unavailable in your country. Consult your local dealers for details.

For Digital speakers

MegaWorks THX 5.1 Creative Inspire™ 5.1 Digital 5700 Generic 2.1 digital speakers

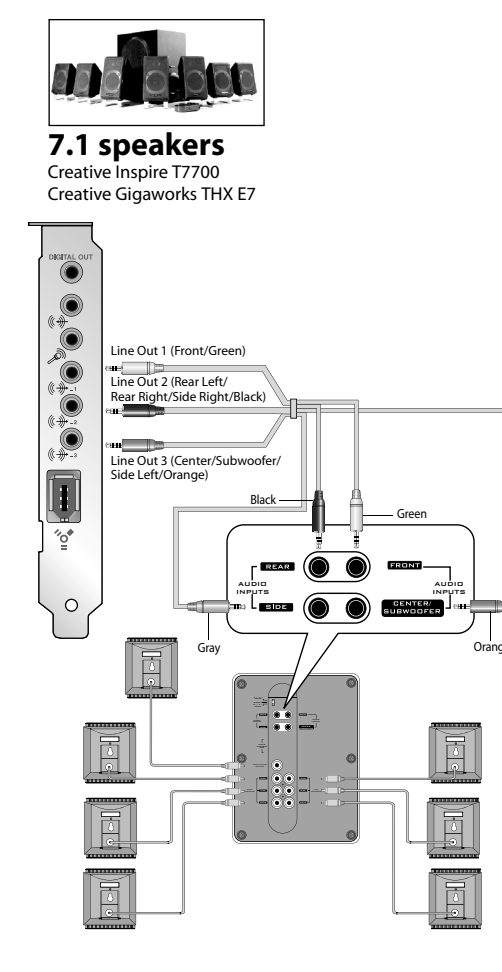
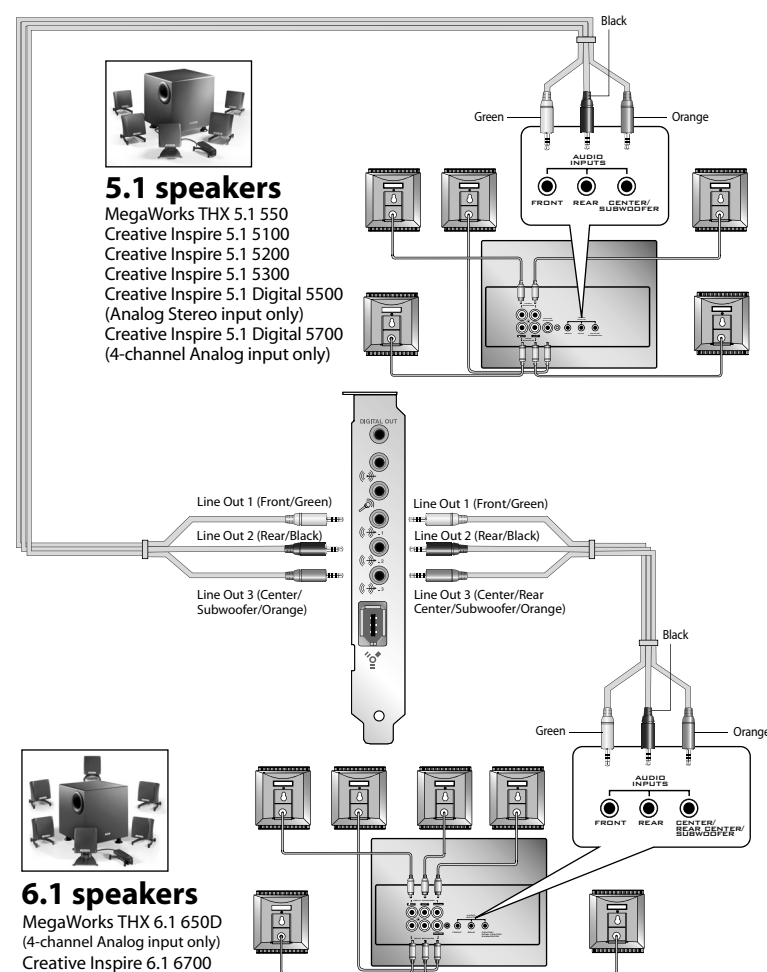
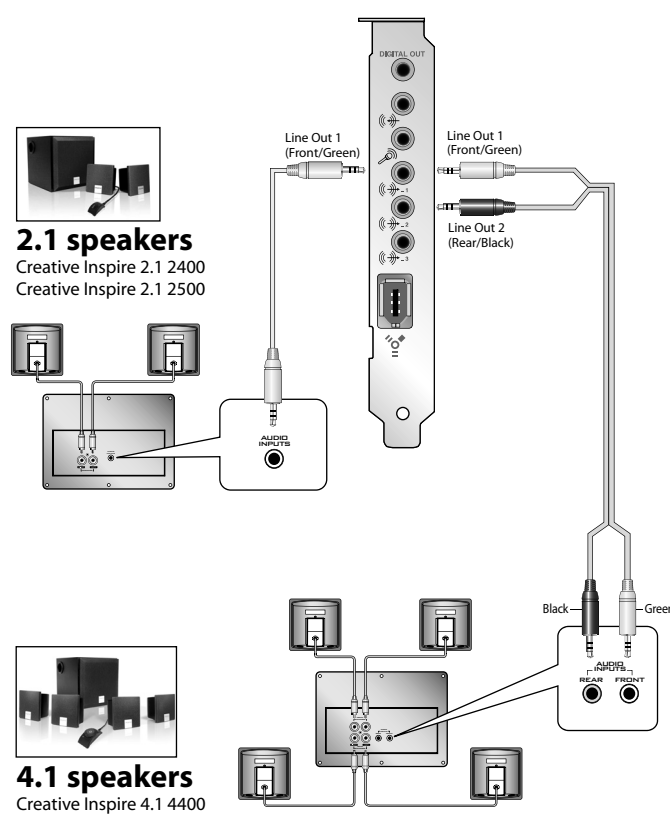
The connectors and associated components shown here may be different from that of your speakers. Consult your speakers' user manual to identify similar input connectors. Or visit the Support section's Knowledge Base at www.creative.com for interactive help on speaker connectivity.



Connecting Digital Speaker Systems
The Digital Out output on your Audigy 2 ZS or Audigy 2 ZS Platinum is continuously active except during DVD-Audio playback. Enabling the Digital Output Only selection in Creative Speaker Settings will disable analog speaker output. It is not necessary to enable Digital Output Only to use the Digital Out connector.

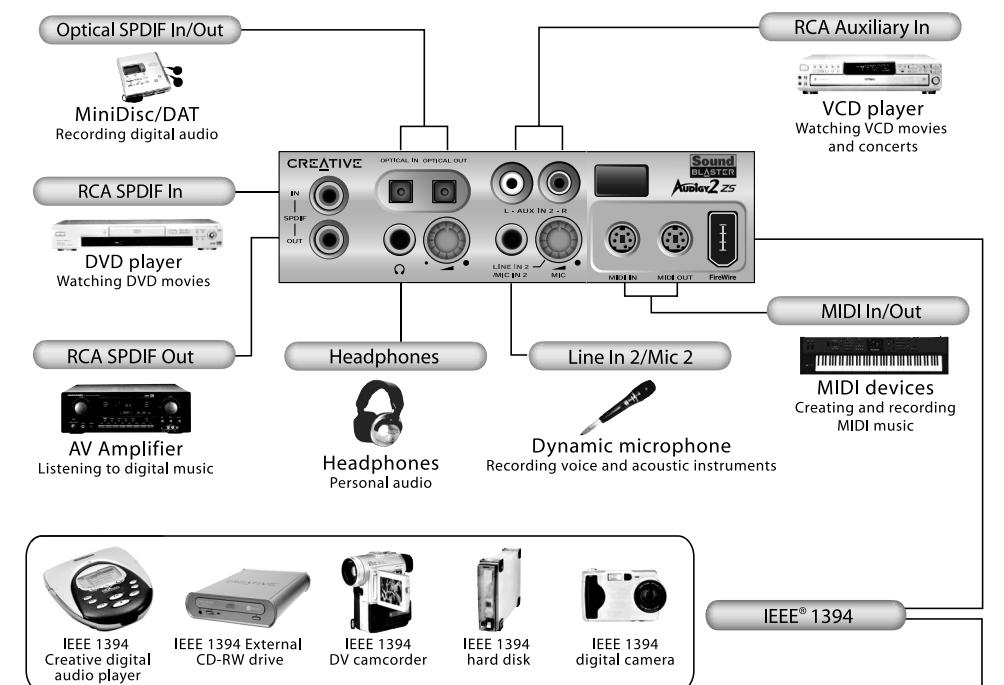
As with dedicated DVD-Audio player devices, output from DVD-Audio playback is limited to analog output. The digital output is disabled and cannot be used during DVD-Audio playback.

For Analog speakers

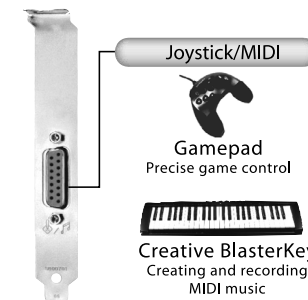


Optional Connections

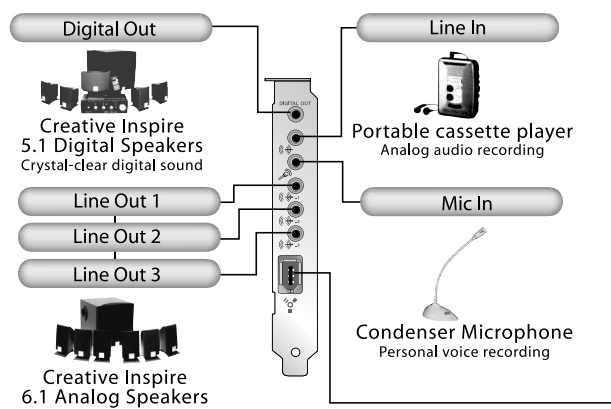
Internal Sound Blaster Audigy 2 Drive



Joystick/MIDI bracket



Sound Blaster Audigy 2 card



Product Registration

Registering your product ensures you receive the most appropriate service and product support available. You can register your product during installation or at www.creative.com/register. Please note that your warranty rights are not dependent on registration.

Creative Knowledge Base

Resolve and troubleshoot technical queries at Creative's 24-hour self-help Knowledge Base. Go to www.creative.com, select your region and then select **Support**.

Customer Support Services & Warranty

You can find Customer Support Services, Warranty and other information in the Installation CD.

Customer Support Services	d:\support\ <region>\<language>\support.chm< td=""> </region>\<language>\support.chm<>
Warranty	d:\warranty\ <region>\<language>\warranty.chm </region>\<language>\warranty.chm Please keep your Proof of Purchase for the duration of the Warranty period.
User's Guide	d:\manual\ <language>\manual.chm< td=""> </language>\manual.chm<>

(replace **d:** with the drive letter of your CD-ROM/DVD-ROM drive, **<region>** with the region you are in, and **<language>** with the language that the document is in).

THX Certification

Sound Blaster Audigy 2 ZS and Audigy 2 ZS Platinum have received the prestigious THX Multimedia Certification award, making them the perfect choice for PC audiophiles seeking the very best music and movie experiences.

Keep this document for future reference.

5 Important Software



User's Guide (on CD)



Creative MediaSource

Creating MP3 songs from your music CDs

With Creative MediaSource Organizer, you can easily create high quality MP3 songs from music CDs that you own.

1. Insert an audio CD into your computer's CD-ROM drive.
2. Click **Start** → **Programs/All Programs** → **Creative** → **Creative MediaSource** → **Creative MediaSource Organizer**.
3. If your audio CD is not selected, in the **Sources** window, select your audio CD.
4. In the **Task bar**, click the **Get Info** button if you want your Music Information Provider to find the track details for your CD.
5. In the **Task bar**, click the **Rip Now** button.



Register with your Music Information Provider to retrieve disc information for your audio CDs via the Internet. For more information, refer to the Creative MediaSource Help file.

Listening to audio in multi-channel surround

Normally, 2-channel music and certain movie soundtracks will only be heard from your front speakers and **some or none** of your surround speakers. You can, however, choose to "upmix" the audio so that it is heard from **all** your surround speakers (if available). To upmix audio to all your surround speakers:

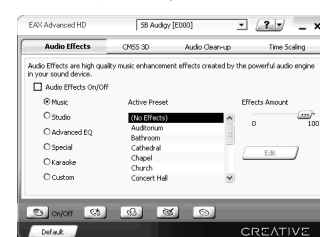
1. Click **Start** → **Programs** → **Creative** → **Creative EAX Console**.
2. Click the **CMSS 3D** tab.
3. Select either CMSS audio, CMSS 2 or Stereo Surround.

CMSS audio upmixes music to all speakers in 4/4.1, 5.1, 6.1 or 7.1 speaker systems (if available). The loudness of each speaker is tuned for optimal surround effect.

CMSS 2 is similar to CMSS, but is optimized for movie soundtracks.

Stereo Surround duplicates the front channel audio to all surround speakers without any artificial enhancements.

Note: CMSS 3D options may be unavailable for certain models of Creative audio devices. For 4.1 speaker systems, audio from the subwoofer or Low Frequency Effects channel speaker is derived solely from the main audio signal.



Remote Control

For Audigy 2 ZS Platinum only

